

PARTS MANUAL

Outdoor Grill

BH1-36R-N DCS US CA

Product Code
71301-A

US CA



CONTENTS

Introduction	3
Grill burner components	3
Grill body components & accessories	7
Rotisserie components	11
Smoker burner components	15

INTRODUCTION

BRAND	VOLTAGE	MODEL	PRODUCT CODE
DCS byFisher & Paykel	120VAC 60Hz	BH1-36R-N DCS US CA	71301-A

MODELS

The models covered by this manual are listed on the front cover. The information detailed in this manual is subject to change without notice. The latest version is indicated by the reprint date and replaces any earlier editions.

KIT PARTS

Where a part number is shown against the descriptions for kit components, they are also available as separate items. In addition, some parts may be supplied with these kits that are not available as separate items, and are therefore either not listed, or a part number is not shown against the part description in this manual.

PARTS LIST KEY

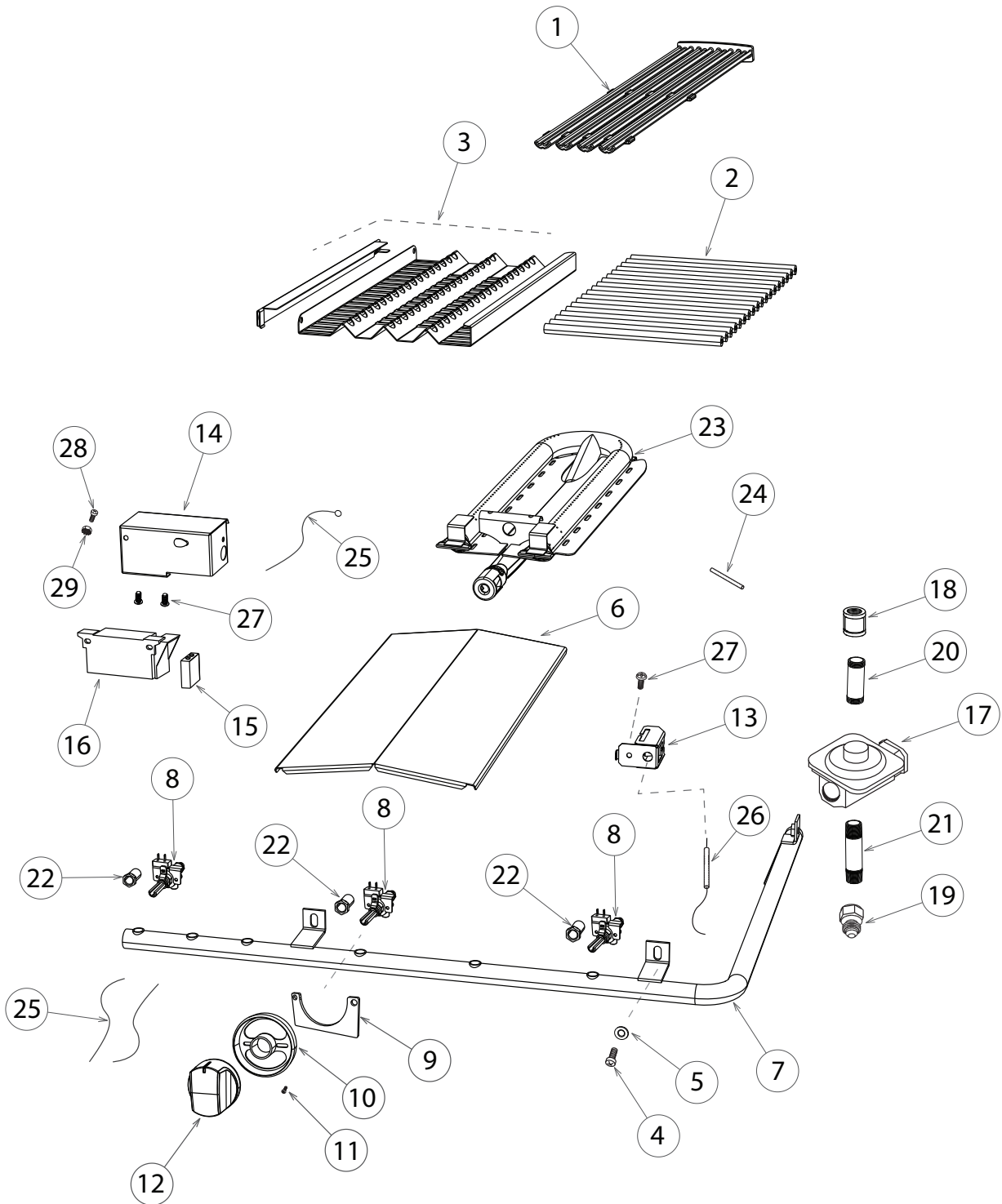
NI	As a part reference, indicates the part is not illustrated on the diagram.
NOT USED	As a part number, indicates the diagram part reference is not used in this manual.
NS	As a part number, indicates the part is not servicable.

US CA

Fisher & Paykel Appliances Inc.
DCS Customer Care
695 Town Center Drive, Suite 180
Costa Mesa.
CA 92626-1902
USA

Customer Care: 1-888-936-7872
Fax: (714) 372-7003
email: customer.care@fisherpaykel.com
www.dcsappliances.com

GRILL BURNER COMPONENTS

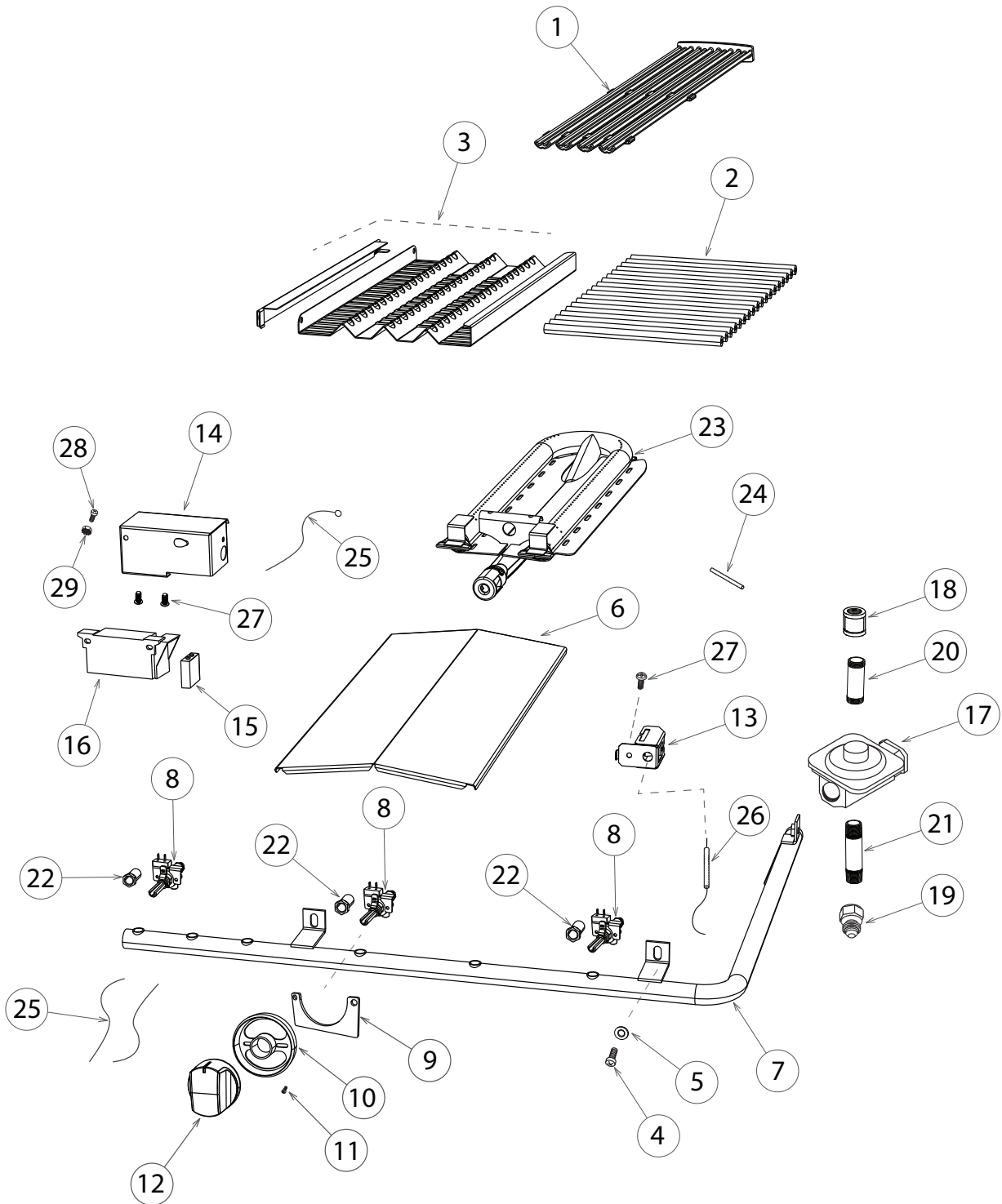


GRILL BURNER COMPONENTS

REFERENCE	PART NUMBER	PART DESCRIPTION
1	212341	GRATE BGA GRILLS
2	245398	CERAMIC ROD 9.50 (PKT10)
3	214081	RADIANT ASSY BGB36/48
	Includes 214046	LOCK RADIANT BGB 36-48
	Includes 213997	HOUSING RADIANT BGB36-48
4	211323P	HB 1/4-20 X 1/2 XFULL SS (10PK)
5	211368P	WASHER FLT SS .250 X .750 (10PK)
6	214569	HEAT SHIELD FIRE BOX
7	237806	MANIFOLD SS BGB 36 - BQR
8	250821	GAS VALVE BGC GREEN
9	250789	PLATE BEZEL SUPPORT BGC
10	250745	BEZEL GRILL DCS
11	211248P	SM 6-32X3/8 PH PAN TY F SS (10PK)
12	250777	DIAL GRILL DCS ASSY
13	214293	MOUNTING BRACKET ELECTRODE
14	250851	HOUSING IGNITION MODULE W/A
15	212337	BATTERY ALKALINE 9V
16	212334	BATTERY IGN MODULE 9V ELTEC 6
17	210765P	REGULATOR - 4.0 WC PKD
18	212138P	COUPLING 1/2 NPT BLACK (PKD)
19	212155P	1/2 NPT X 3/8 FLARE (PKD)
20	221769	1/2 NPT X 2.00 NIPPLE BLK
21	212186P	BLACK NIPPLE 1/2 X 5 (PKD)
22	220576	JET SPUD TYPE LG 2.44MM (41 DMS)
23	251049	TUBE BURNER BGC 36 - 48 W/A
24	211593	FIBER GLASS SLEEVE 1/2 (3.34FT)
25	250865	BGC36 - BQAR IGNITION SW LOOM
	Includes	BGC EARTH WIRE WITH TERMINALS
	Includes	BGC 5 SW WIRE WITH TERMINALS

continued on next page

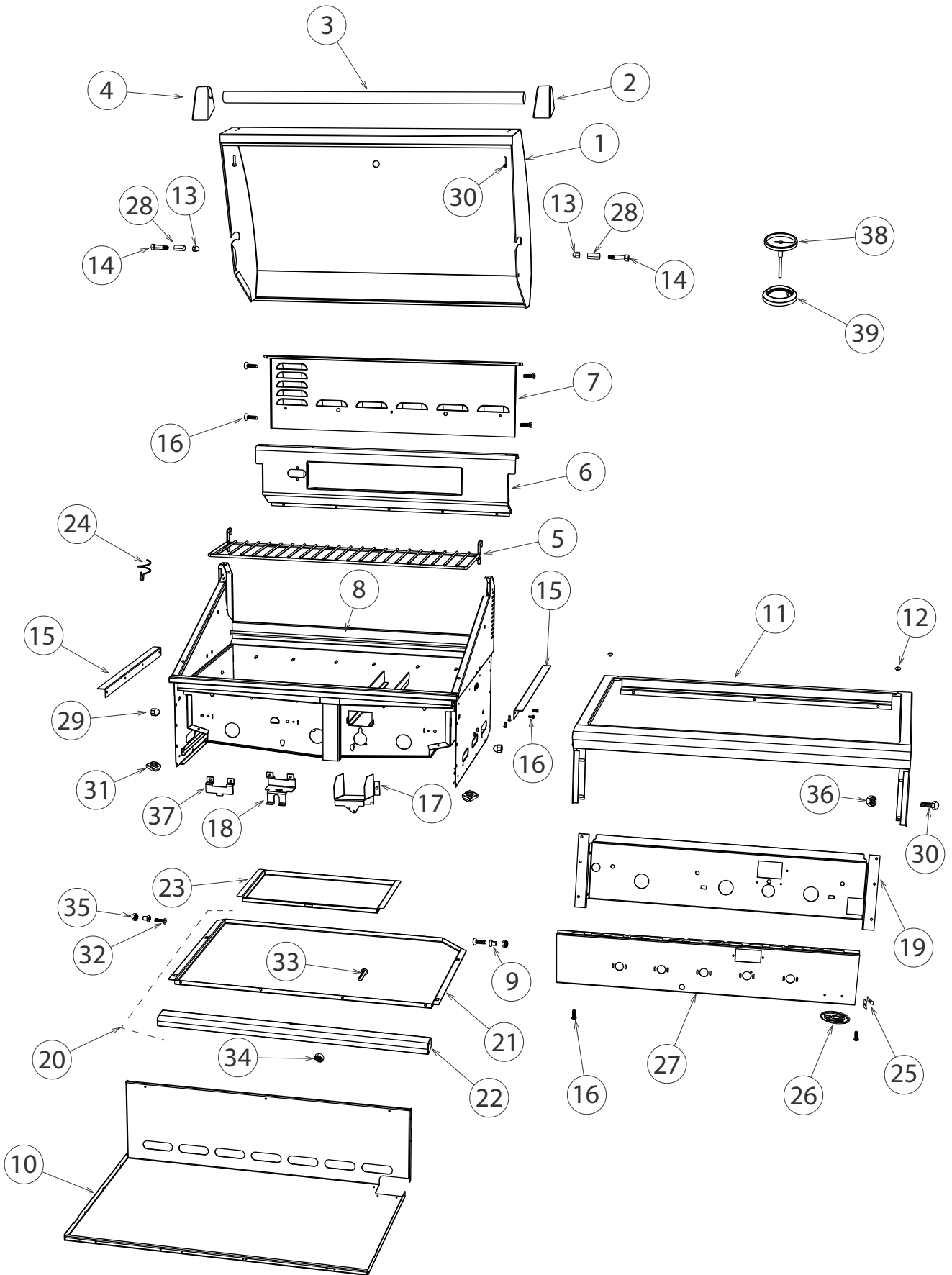
GRILL BURNER COMPONENTS



GRILL BURNER COMPONENTS

REFERENCE	PART NUMBER	PART DESCRIPTION
26	250872	BGC36 BQAR IGNITER KIT
	Includes 250199P	BURNER ELECTRODE 14.5 IN.
	Includes 250201P	BURNER ELECTRODE 29.0 IN.
	Includes 250203P	BURNER ELECTRODE 44.88 IN
	Includes 250286P	ROTIS BNR ELECTRODE 45.0 IN
	Includes 250285P	SMOKER ELECTRODE 32.0 IN
27	211242P	SM 10-24X1/2 PHPN TY F SS 10PK
28	211295P	MS 8-32 X 1/2 PH TR HD SS (10PK)
29	211480P	NUT 8-32 KEPS SS (10PK)

GRILL BODY COMPONENTS & ACCESSORIES

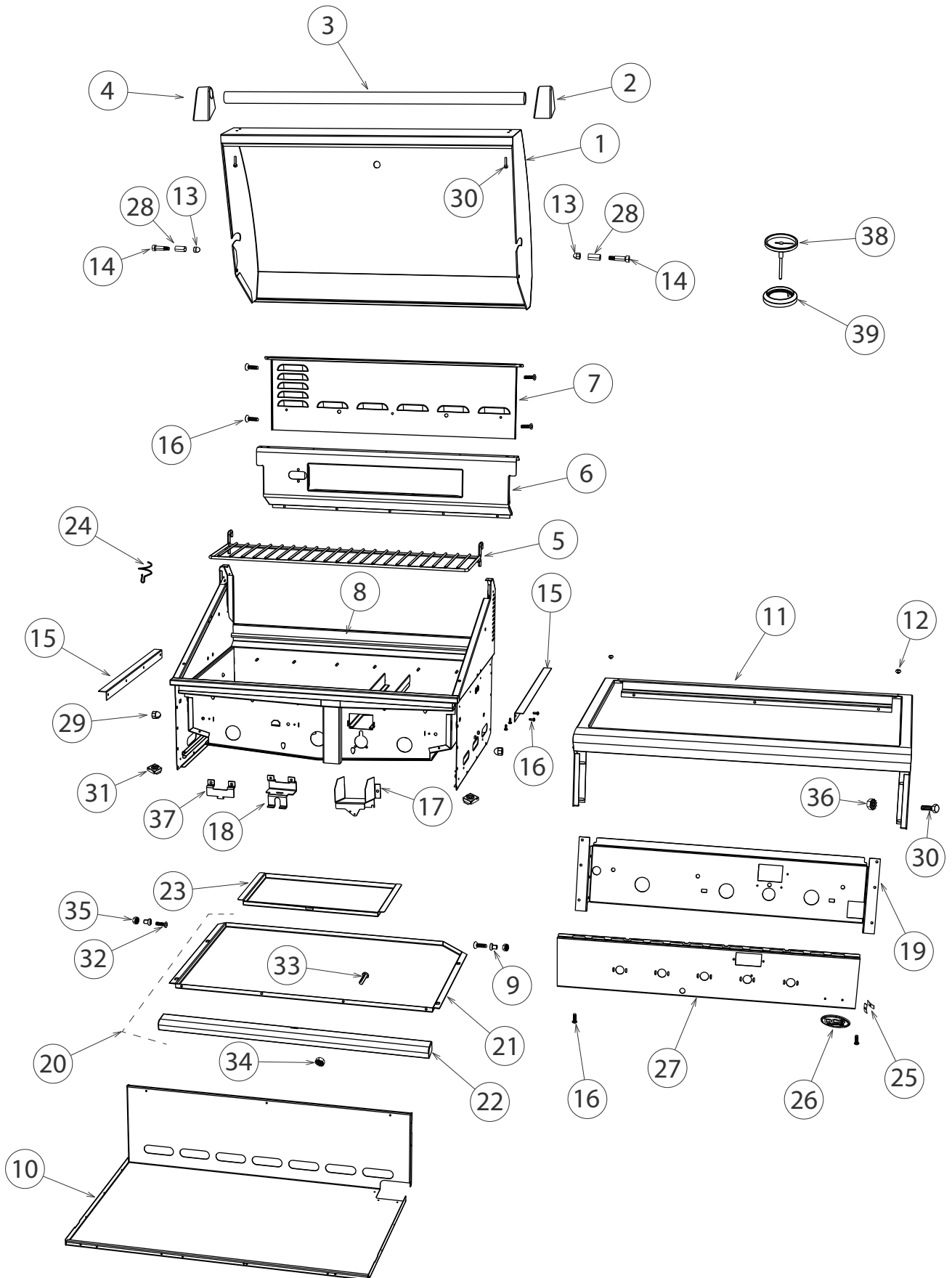


GRILL BODY COMPONENTS & ACCESSORIES

REFERENCE	PART NUMBER	PART DESCRIPTION
1	251295	LID W/A 36 BH
2	248037	END CAP HANDLE RH
3	251126	GRILL HANDLE LID 36
4	248038	END CAP HANDLE LH
5	214030	WARMING RACK ST/STL 3 BURNERS
6	224759	WRAPPER I/R BURNER BGB36
7	224760	SERVICE PANEL BGB36
8	250840	FIRE BOX W/A BGC36
9	211090P	RACK ROLLER VERTICAL (PKD)
10	224751	BOTTOM BURNER BOX BGB36
11	250959	LANDING LEDGE W/A BGC36
12	212359P	RUBBER BUMPER (4PK)
13	211387	ACORN NUT 5/16-18 DEFLECTED
14	211437	BLT SHLDR SS 5/16-18X 1
15	224769	ANGLE GRILL SUPPORT
16	211242P	SM 10-24X1/2 PHPN TY F SS 10PK
17	214572	SHIELD SMOKER VALVE
18	250318	BRACKET SAFETY VALVE AA
19	250960	FRONT BAFFLE BGC36
20	224783	DRIP PAN ASSY BGB36
	Includes 214405	DRIP PAN BGB36
	Includes 214406	DRIP PAN HANDLE BGB36
	Includes	MS 10-24 X 3/8 PH TRU SS X 4
	Includes	NUT HEX 10-24 SS LOCK NYLON X 4
21	214405	DRIP PAN BGB36
22	214406	DRIP PAN HANDLE BGB36
23	214289	GREASE CAN
24	545874	WIRE STANDOFF COIL
25	211419P	LOGO - CLIP (2 PACK)
26	237566	BADGE 3.3"
27	250962	VALVE PANEL BGC36 BQAR PTD
NI	251056	RUBBER BUMPER 0266
28	213907	SPACER LID 36/48 BQ

continued on next page

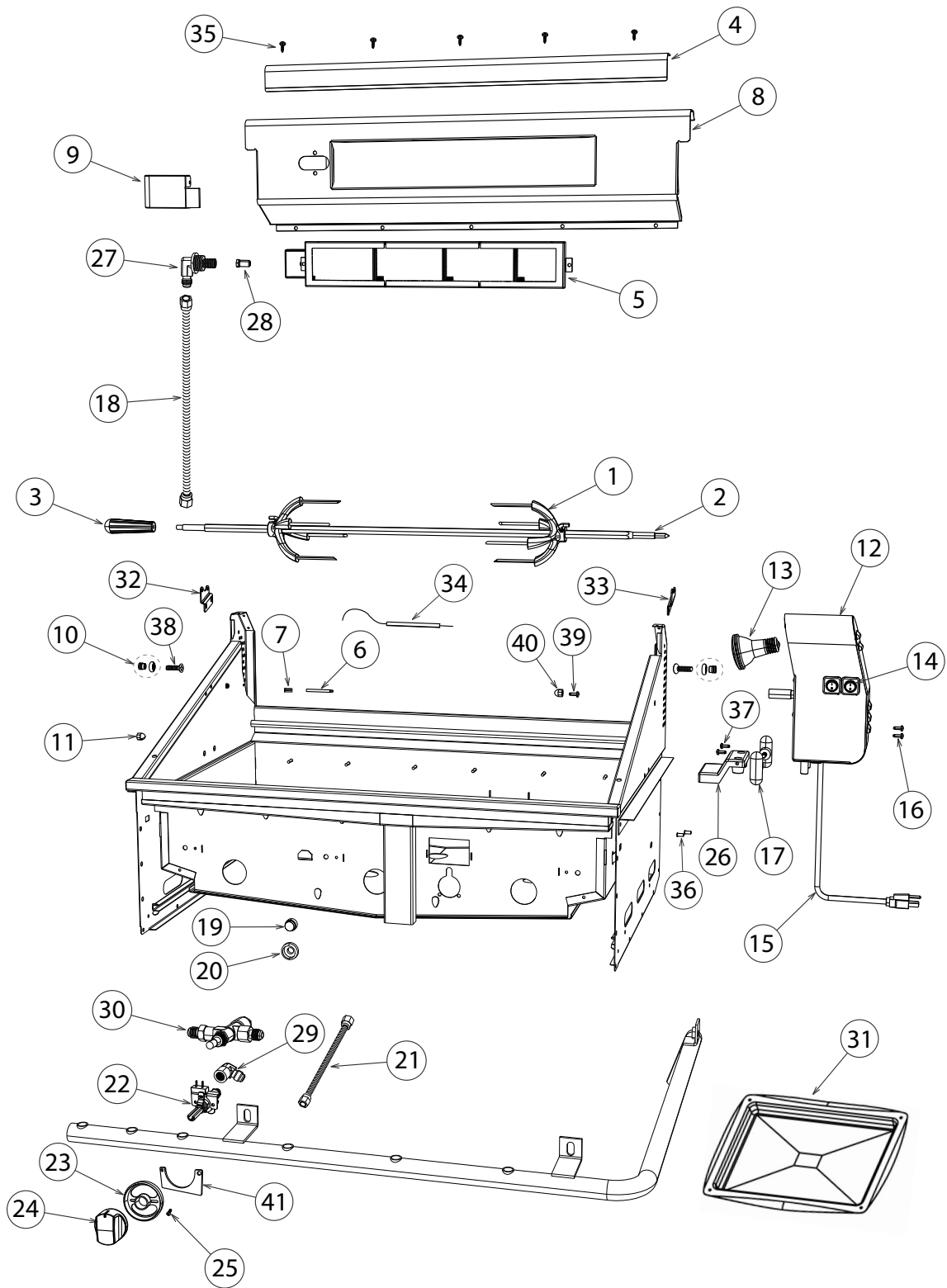
GRILL BODY COMPONENTS & ACCESSORIES



GRILL BODY COMPONENTS & ACCESSORIES

REFERENCE	PART NUMBER	PART DESCRIPTION
29	211390	ACORN NUT LOCKING 1/4-20 SS
30	211323P	HEX 1/4-20X 1/2 FUL TH SS 10PK
31	211408P	NUT W/RET 1/4-20 BLK (10PK)
32	250184	MS 10-24 X 1 PH FLT 100 316 SS
33	237354	MS10-24X3/8 PH TRU SS (PKT 10)
34	211359P	NUT HEX10-24SS LOCK NYLON (10PK)
35	218150	NUT HEX 10-24 KEPS SS (10PK)
36	211398P	NUT KEPS 1/4-20 SS (10PK)
37	250319	LOCK BRACKET SAFETY VALVE AA
NI	591110	BKSET BH1-36/48 GRILLS DCS US
	Includes	BK USR/INSTL BH1-36/48 DCS US
	Includes	BK SRVCE/W'NTY OUTDR DCS USCA
38	251352	TEMPERATURE GAUGE GRILL SMALL
	Includes	WING NUT
39	251353	BEZEL TEMPERATURE DCS GRILL SMALL

ROTISSERIE COMPONENTS

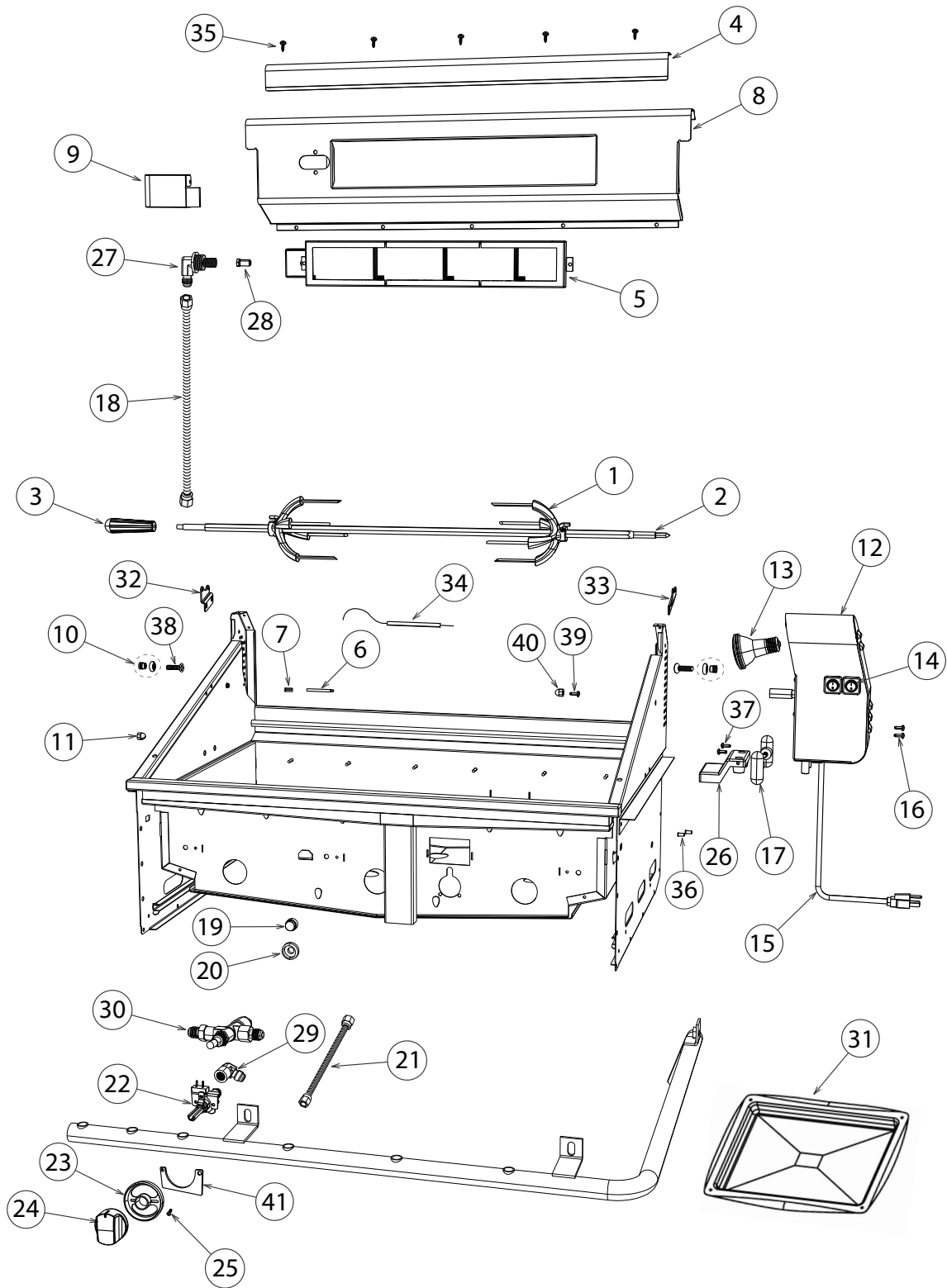


ROTISSERIE COMPONENTS

REFERENCE	PART NUMBER	PART DESCRIPTION
1	212340	FORK ROTISSERIE
2	212930	ROTISSERIE ROD
3	212163	HANDLE - ROTIS ROD
4	251192	I/R PROT PLATE BGC36 PORC IH
5	210357	BURNER I/R 36
6	250130	THERMOCOUPLE BBQ KE200 48
7	250140	CLIP THERMOCOUPLE RETAINER
8	224759	WRAPPER I/R BURNER BGB36
9	213784	ELECTRODE HOUSING W/A L/H
10	211089P	RACK ROLLER (PKD)
11	211389	NUT ACORN 10-24 LOCKING SS
12	250011	ROTISSERIE MOTOR KIT BGB
	Includes 250310	BULB ROTISSERIE MOTOR 120V
	Includes 250062	SWITCH, ON - OFF
	Includes 250076	FLEX HARNESS ROTIS
	Includes 247073	MS 10-32 X 3/8 PH PAN SS
13	250310	BULB ROTISSERIE MOTOR 120V
14	250062	SWITCH, ON - OFF
15	250076	FLEX HARNESS ROTIS
16	211242P	MS 10-24 X 1/2 PHPN TY F SS (10PK)
17	211051	ROTISS MOUNTING ARM
18	221931	TUBE 25 ID SS FLEXIBLE 45 IN
19	250830	BUTTON SAFETY VALVE
20	250831	BEZEL SAFETY VALVE
21	221930	TUBE 25 ID SS FLEXIBLE 7 IN
22	250821	GAS VALVE BGC GREEN
23	250745	BEZEL GRILL DCS
24	250777	DIAL GRILL DCS ASSY
25	211248P	SM 6-32X3/8 PH PAN TY F SS (10PK)
26	211046	ROTISS BLOCK
27	250075	FITTING ELBOW IR ASSY
28	220578P	ORIFICE, SPUD TYPE, LG 50 DMS
29	221935	ELBOW 3/8 F X 1/4 M FLARE

continued on next page

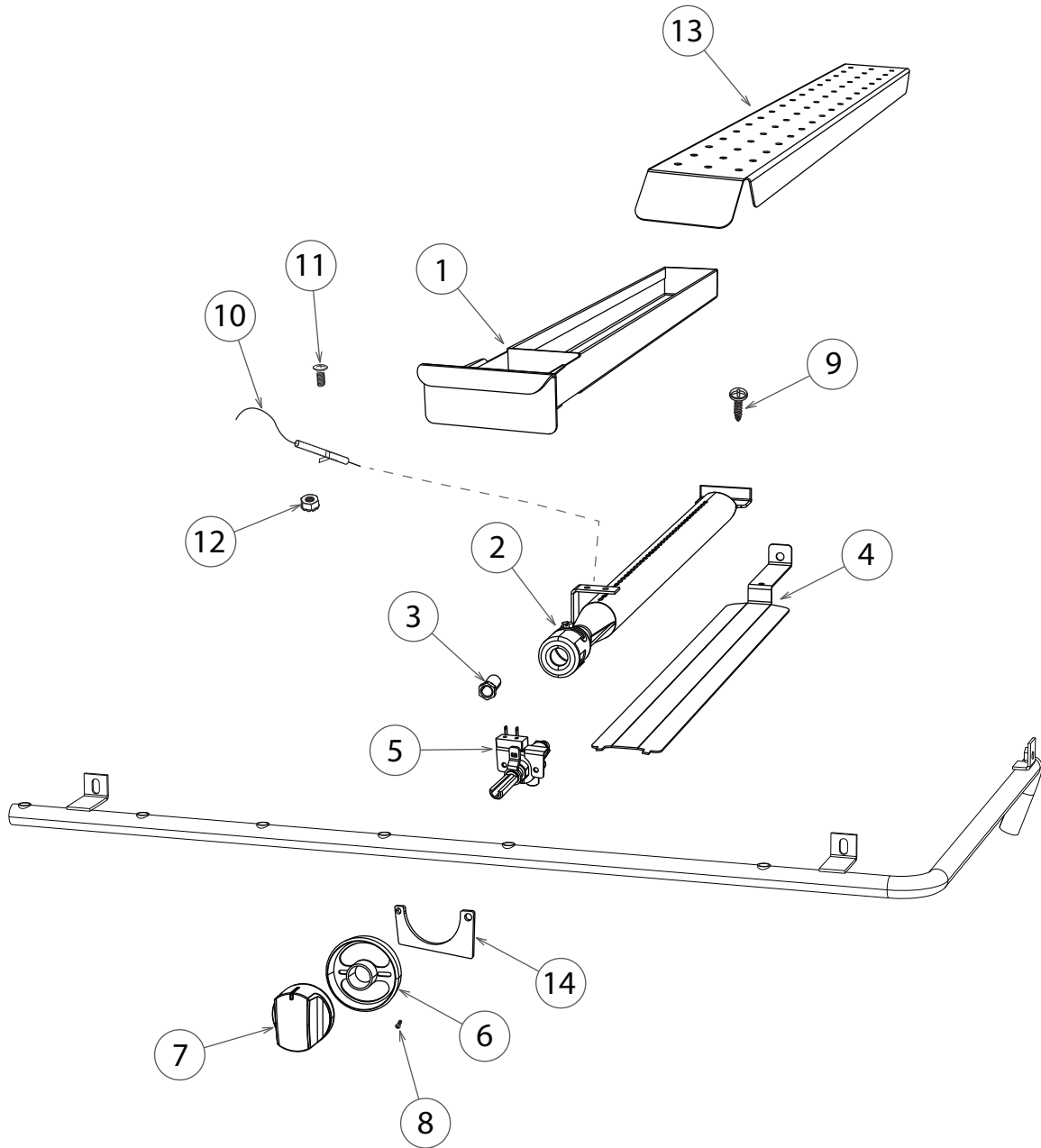
ROTISSERIE COMPONENTS



ROTISSERIE COMPONENTS

REFERENCE	PART NUMBER	PART DESCRIPTION
30	231442	SAFETY VALVE ELBOW ASY BGB
	Includes 211355	NUT HEX M12 X .75 BRASS
	Includes 212199	SAFETY VALVE
	Includes 221932	FITTING 1/8-27 NPT X 1/4 FLARE
	Includes 221933	FITTING 1/8-27 NPT (F) X 1/4 FLARE
31	547084	PAN BROILER 30IN GPHT
32	214398	BRACKET ROTISS SUPPORT L/H
33	214397	BRACKET ROTISS SUPPORT R/H
34	250286P	ELECTRODE ROTIS BUR 1145
35	218132	SM10-24X1/2PH TRU TY23 4SS 10PK
36	237190	FLANGE BUSHING
37	220807	HB 1/4-20 X 1-1/2 X FULL
38	250296	MS 10-24 X 3/4 PH FLT 100 316SS
39	211326	HB 1/4-20 X 1-1/4 X 3/4 SS
40	211390	ACORN NUT LOCKING 1/4-20 SS
41	250789	PLATE BEZEL SUPPORT BGC

SMOKER BURNER COMPONENTS



SMOKER BURNER COMPONENTS

REFERENCE	PART NUMBER	PART DESCRIPTION
1	250802	TRAY CHIP WA
2	237182	BURNER SMOKER SS
3	220580	JET SPUD TYPE LG 0.94MM (63 DMS)
4	214010	HEAT SHIELD SMOKER SUPPORT
5	250822	GAS VALVE BGC YELLOW
6	250745	BEZEL GRILL DCS
7	250777	DIAL GRILL DCS ASSY
8	211248P	SM 6-32 X 3/8 PH PAN TY F SS
9	211242P	SM 10-24X1/2 PHPN TY F SS 10PK
10	250285P	ELECTRODE, SMOKER 815
11	211301	MS 4-40 X 1/4 PHRND SS
12	211358	NUT HEX 4-40 SS
13	250770	COVER CHIP TRAY
14	250789	PLATE BEZEL SUPPORT BGC
NI	70751	KIT CONVERSION NG TO LP BGB36
	Includes 220579	JET SPUD LG 1.51MM (53DMS) X 3
	Includes 212139	FITTING ELBOW 3/8-27-9/16-24 X 1
	Includes 220581	JET SPUD LG 0.61MM (73DMS) X 1
	Includes 220582	JET SPUD LG 1.15MM X 1
	Includes 221934	FITTING ELBOW 3/8-27 X 1/4 FLARE X 1
	Includes	INSTRUCT NAT TO LP CONV BGB36 X 1
	Includes	CONV LABEL LP BGB48/36/30 X1
	Includes 239586	ELBOW 45, 3/8 M FLARE X 1/2 F NPT X1
	Includes 239862	REGULATOR ASSY LP 2 STAGE X 1

www.fisherpaykel.com

Copyright © Fisher & Paykel Appliances Ltd 2016. All rights reserved.
The product specifications in this manual apply to the specific model described at the date of issue. Under our policy of continuous product improvement, these specifications may change at any time. Only use this manual if the product code on the front matches the product code on the serial label of the product.

US CA

PRODUCT CODE: 71301-A 03.16