

Artisan

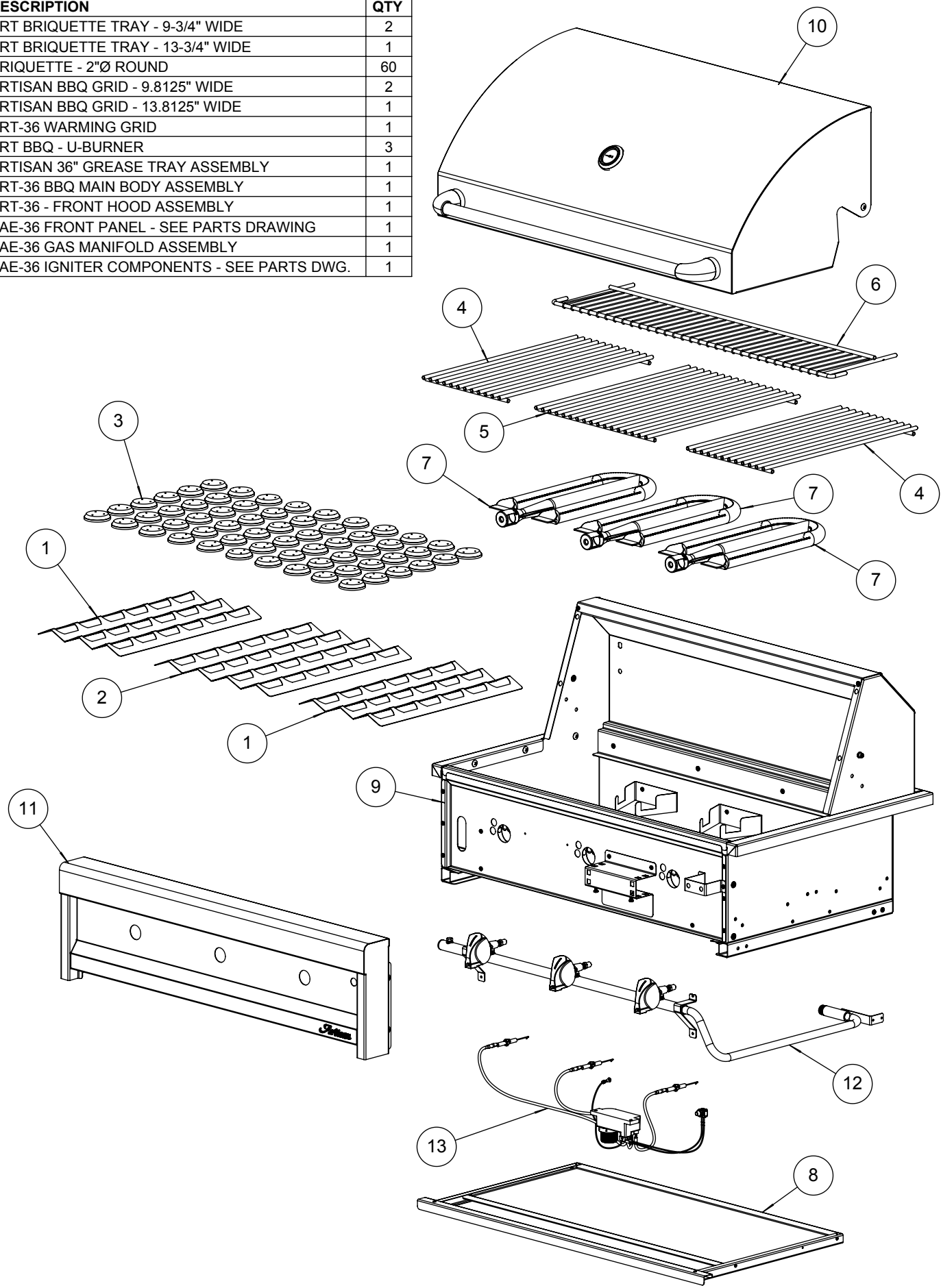


AMERICAN EAGLE: AAE-36

**BUILT-IN 36" BBQ GRILL WITH
TRIPLE BURNERS**

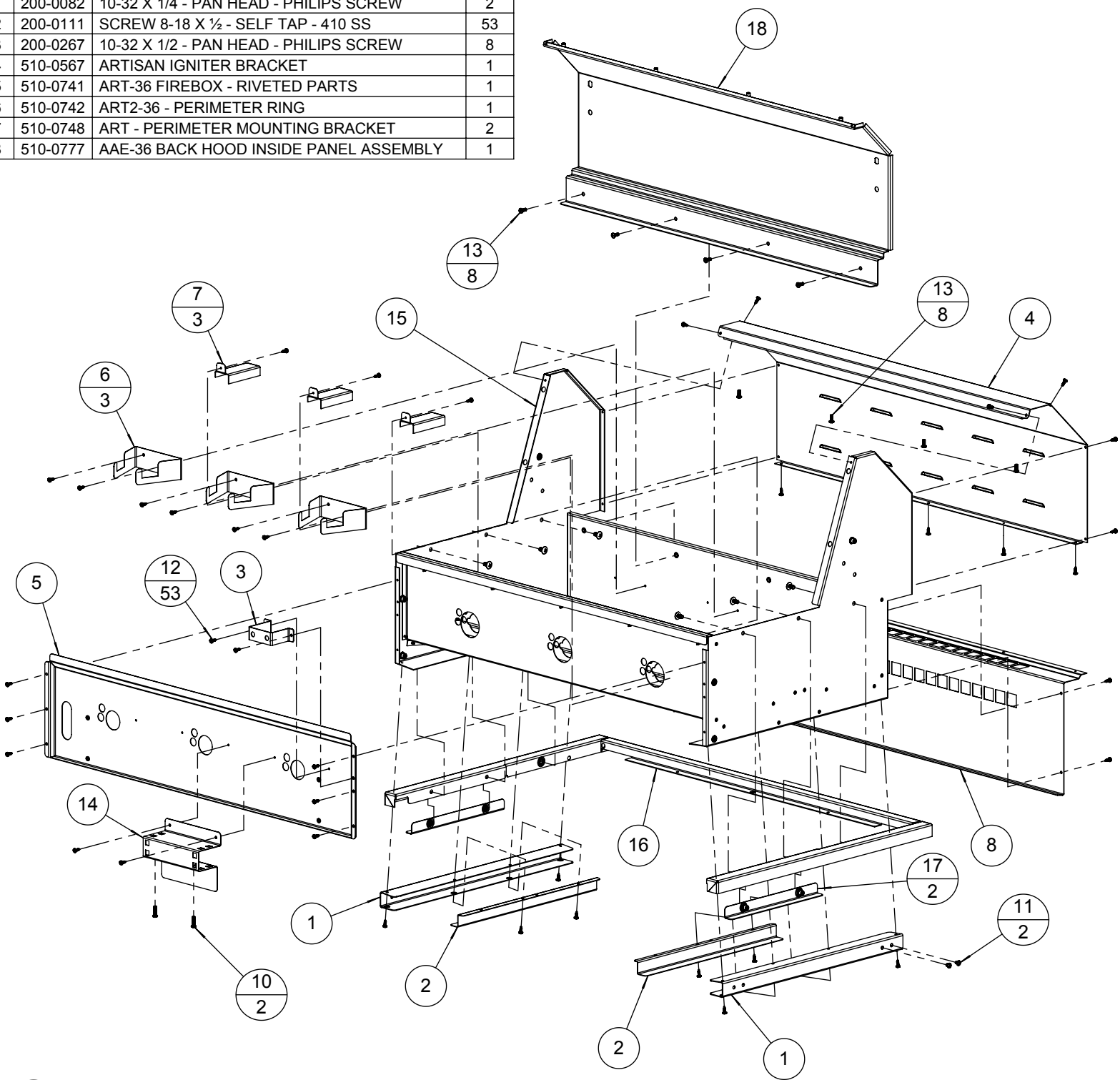
BILL OF MATERIAL

NO.	PART #	DESCRIPTION	QTY
1	100-2376	ART BRIQUETTE TRAY - 9-3/4" WIDE	2
2	100-2377	ART BRIQUETTE TRAY - 13-3/4" WIDE	1
3	265-0030	BRIQUETTE - 2"Ø ROUND	60
4	290-0323	ARTISAN BBQ GRID - 9.8125" WIDE	2
5	290-0324	ARTISAN BBQ GRID - 13.8125" WIDE	1
6	290-0354	ART-36 WARMING GRID	1
7	290-0355	ART BBQ - U-BURNER	3
8	510-0602	ARTISAN 36" GREASE TRAY ASSEMBLY	1
9	510-0740	ART-36 BBQ MAIN BODY ASSEMBLY	1
10	510-0745	ART-36 - FRONT HOOD ASSEMBLY	1
11	510-0778	AAE-36 FRONT PANEL - SEE PARTS DRAWING	1
12	510-0779	AAE-36 GAS MANIFOLD ASSEMBLY	1
13	510-0842	AAE-36 IGNITER COMPONENTS - SEE PARTS DWG.	1



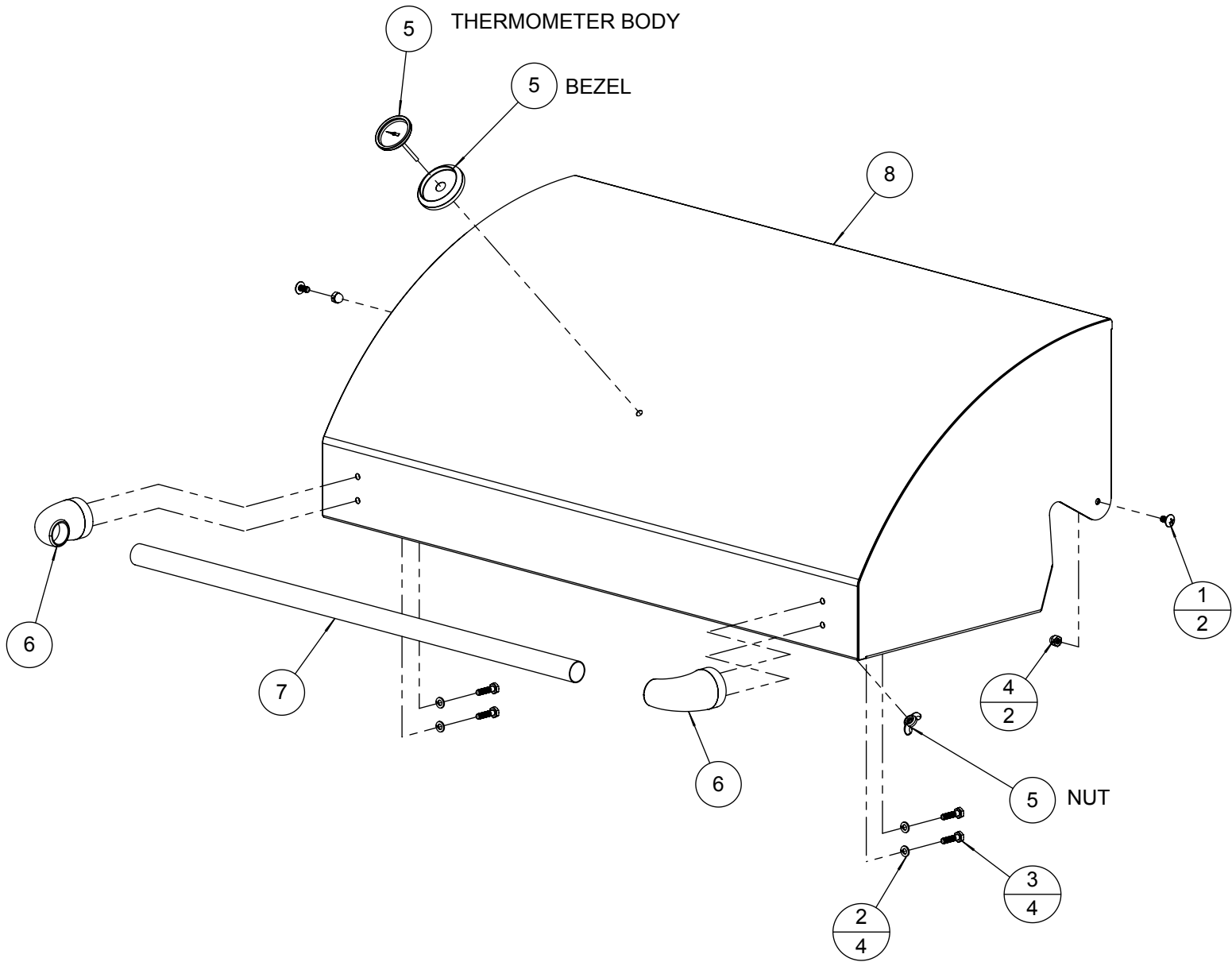
BILL OF MATERIAL

NO.	PART #	DESCRIPTION	QTY
1	100-2024	FIREBOX TRAY SLIDE PART-A	2
2	100-2025	FIREBOX TRAY SLIDE PART-B	2
3	100-2038	ARTISAN IGNITER & LIGHT SWITCH BRACKET	1
4	100-2358	ART-36 BACK HOOD - REAR COVER	1
5	100-2372	ART-36 FIREWALL	1
6	100-2373	ART - BURNER BRACKET	3
7	100-2374	ART - IGNITER COVER - STANDARD	3
8	100-2417	AAE-36 FIREBOX REAR COVER	1
9	200-0057	SCREW 1/4-20 X 1/2 - TRUSS HEAD - PHILIPS	6
10	200-0062	10-32 X 3/4 - PAN HEAD - PHILIPS SCREW	2
11	200-0082	10-32 X 1/4 - PAN HEAD - PHILIPS SCREW	2
12	200-0111	SCREW 8-18 X 1/2 - SELF TAP - 410 SS	53
13	200-0267	10-32 X 1/2 - PAN HEAD - PHILIPS SCREW	8
14	510-0567	ARTISAN IGNITER BRACKET	1
15	510-0741	ART-36 FIREBOX - RIVETED PARTS	1
16	510-0742	ART2-36 - PERIMETER RING	1
17	510-0748	ART - PERIMETER MOUNTING BRACKET	2
18	510-0777	AAE-36 BACK HOOD INSIDE PANEL ASSEMBLY	1



A	ITEM NUMBER
B	QUANTITY

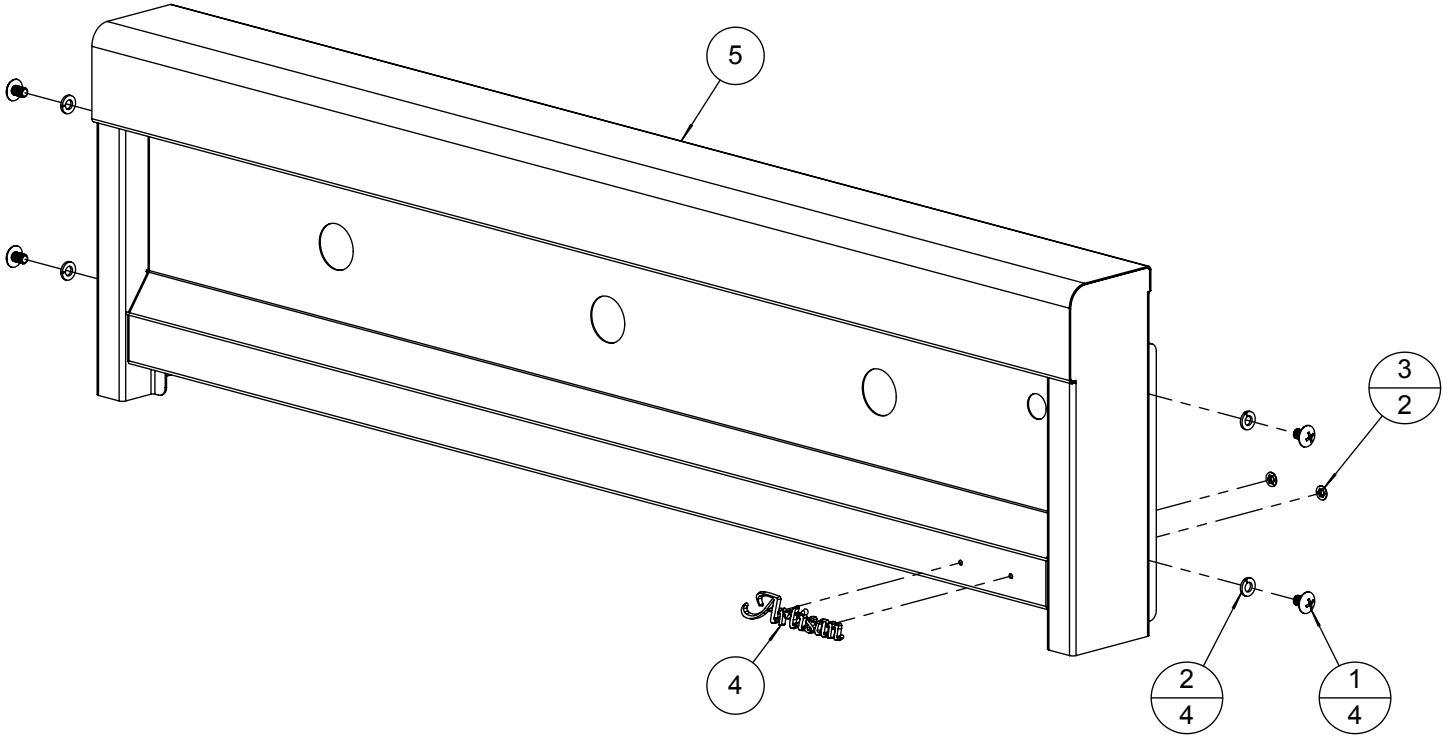
BILL OF MATERIAL			
NO.	PART #	DESCRIPTION	QTY
1	200-0057	SCREW 1/4-20 X 1/2 - TRUSS HEAD - PHILPS	2
2	200-0087	WASHER - 1/4" SPRING LOCK- REGULAR - SS	4
3	200-0091	HH- HD - 1/4-20 x 1 x .75 THREAD	4
4	200-0313	NUT 1/4 x 20 - ACORN - SELF LOCKING	2
5	210-0490	ARTISAN THERMOMETER ASSEMBLY	1
6	290-0063	HANDLE - END CAP ASSEMBLY	2
7	290-0328	ARTISAN 36" BBQ - FRONT HOOD HANDLE BAR	1
8	510-0746	ART-36 FRONT HOOD - WELDED PARTS	1



A	ITEM NUMBER
B	QUANTITY

BILL OF MATERIAL

NO.	PART #	DESCRIPTION	QTY
1	200-0086	1/4-20 X 3/8 - TRUSS HEAD - PHILIPS SCREW	4
2	200-0087	WASHER - 1/4" SPRING LOCK- REGULAR - SS	4
3	200-0093	WASHER - PUSH LOCK 1/8" ID X 3/8" OD (LOGO)	2
4	290-0356	ARTISAN LOGO	1
5	510-0862	AAE-36 FRONT PANEL - WELDED PARTS	1



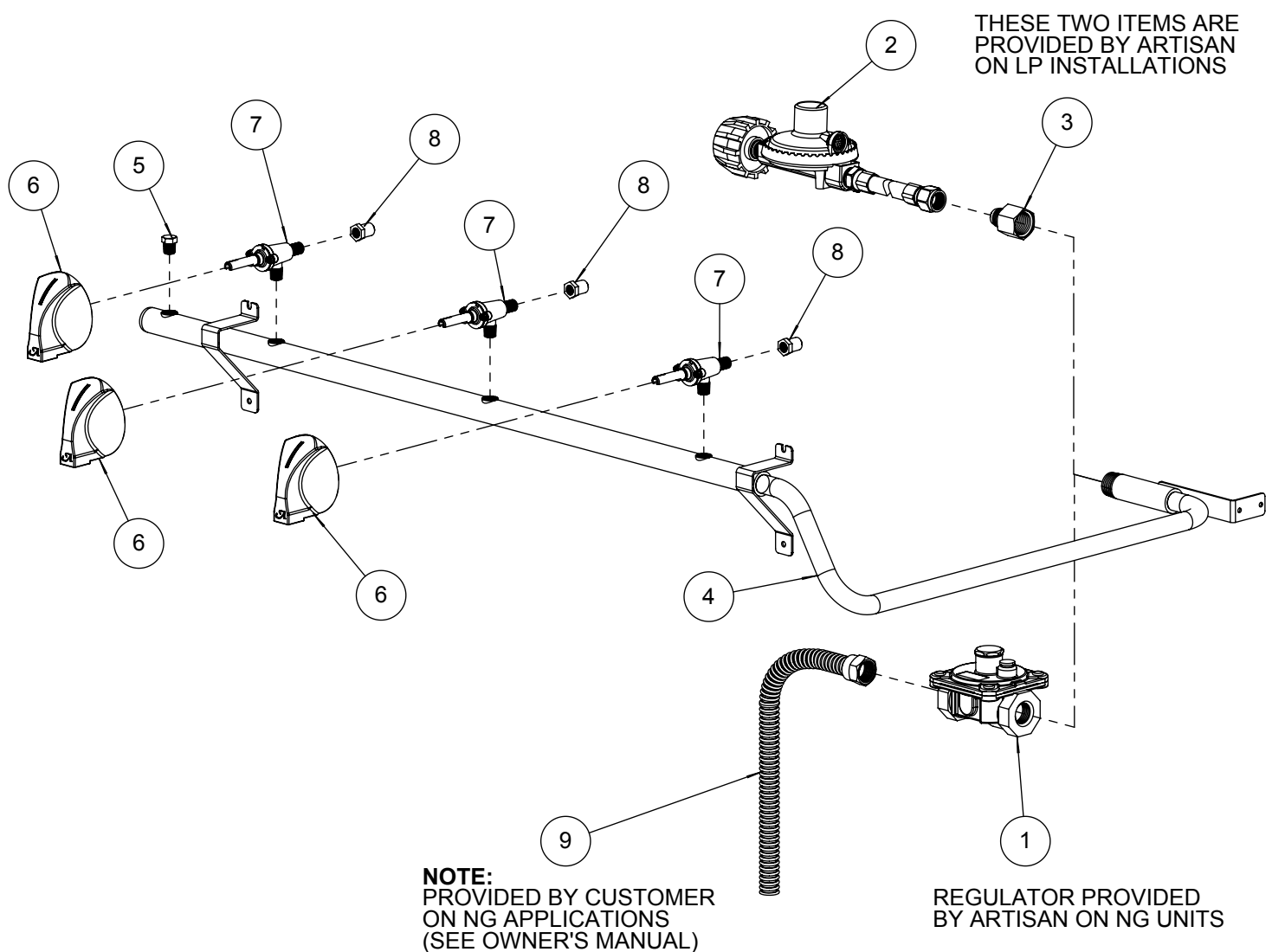
A	ITEM NUMBER
B	

BILL OF MATERIAL

NO.	PART #	DESCRIPTION	QTY
1	220-0280	REGULATOR GAS - MAXITROL RV48CL440002	1
2	220-0301	REGULATOR - LP GAS W/36" HOSE - CONN. GREEN	1
3	220-0403	NIPPLE 3/8" OD FL x 1/2" FPT (FOR LP HOOK-UP)	1
4	220-0431	GAS MANIFOLD - ART2-36 / AAE-36	1
5	220-0434	PLUG 1/8"x27 NPT - BRASS - HEX HEAD HOLLOW	1
6	290-0030	KNOB BBQ - ALFRESCO "A" LETTER	3
7	290-0320	VALVE - GAS - VARIABLE FLOW - 1/8-27 MPT X 1/8-27 NPTS	3
8	SEE NOTE	ORIFICE - MAIN BURNER - (SEE NOTE FOR SIZING)	3
9	SEE NOTE	1/2" ODF - FLEX SS GAS LINE (BY CUSTOMER)	1

NOTE: ORIFICE OR VALVE ASSEMBLY TO CHANGE ACCORDING TO FUEL SUPPLY: NATURAL GAS OR LIQUID PROPANE

ITEM	NG GAS	LP GAS
	PART #	PART #
8	220-0397	220-0398



THESE TWO ITEMS ARE PROVIDED BY ARTISAN ON LP INSTALLATIONS

NOTE: PROVIDED BY CUSTOMER ON NG APPLICATIONS (SEE OWNER'S MANUAL)

REGULATOR PROVIDED BY ARTISAN ON NG UNITS

BILL OF MATERIAL

NO.	PART #	DESCRIPTION	QTY
1	210-0194	IGNITER MODULE - 4 POINTS (WITH CAP)	1
2	210-0198	SWITCH - WEATHER BOOT & CAP	1
3	210-0340	IGNITION POWER WIRE	1
4	210-0491	ARTISAN U-BURNER ELECTRODE TIP	3
5	210-0546	AAE-36 IGNITER WIRE KIT	1

